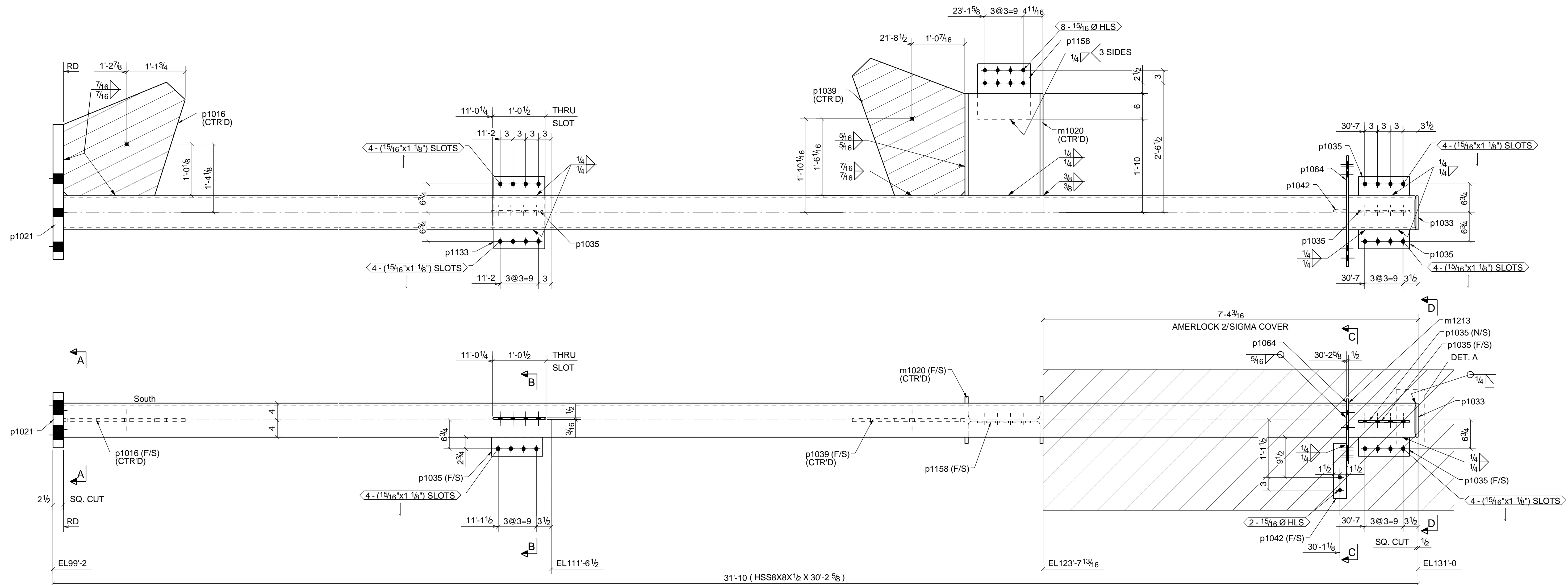


BILL OF MATERIAL									
LINE #	ADVANCE #	QTY	PC MARK	MINOR MARK	DESCRIPTION	LENGTH	STEEL GRADE	REMARKS	WEIGHT
		1	1008		COLUMN				
		1	1008		HSS8X8X1/2	30' 2 5/8"	A500-GR.C		1388.34
		1		m1020	W18X86	2' 0"	A992		172.18
		1		m1213	HSS8X8X1/2	1' 3 7/8"	A500-GR.C		60.78
		1		p1016	PL3/4"X26 11/16"	2' 4 5/8"	A572-GR.50		117.48
		1		p1021	PL2 1/2"X13"	2' 7 3/4"	A36		282.64
		1		p1033	FL1/2"X8"	0' 8"	A36		9.08
		4		p1035	FL3/8"X4 1/2"	1' 0"	A36		22.97
		1		p1039	PL3/4"X26 1/2"	2' 8 5/16"	A572-GR.50		130.76
		1		p1042	FL1/2"X3"	1' 1"	A36		5.54
		1		p1064	PL1/2"X15 7/8"	2' 2 1/16"	A36		58.73
		1		p1133	FL3/8"X12"	1' 5"	A36		21.70
		1		p1158	PL3/8"X12 1/2"	1' 1"	A36		17.28
					FIELD BOLTS				



NOTE: PROTECTED ZONE.

BY: \_\_\_\_\_  
 IEP: SSPC-SP3  
 ELDS: \_\_\_\_\_



PROJECT: SEA118 RAD  
 PROJECT #: SRAD-822  
 ADDRESS: 15110 NE 95TH STREET  
 LOCATION: Redmond, WA 98052  
 DRAWN BY: MEA CHECKED BY: SDK REF DWG: E1001  
 JOB COLOR: GREEN STATUS: FOR FABRICATION  
 CUT BY: \_\_\_\_\_ DRAWING NO. 1008  
 LAYOUT BY: \_\_\_\_\_  
 FAB BY: \_\_\_\_\_  
 CHECKED BY: \_\_\_\_\_