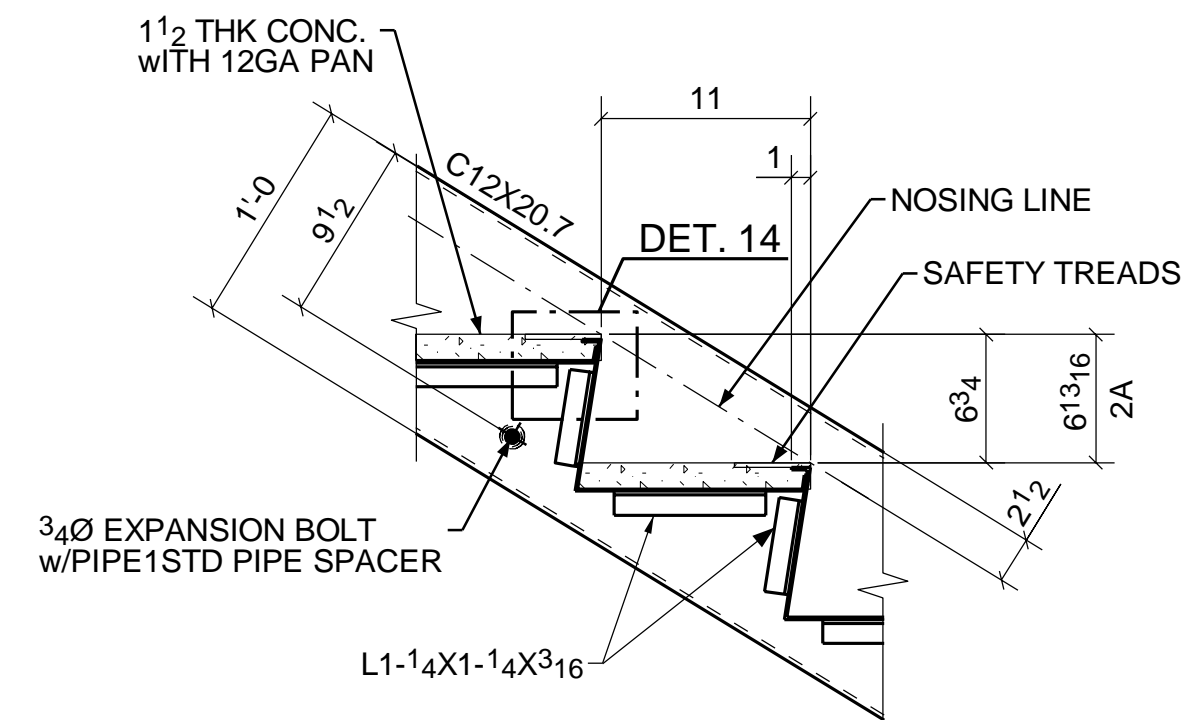
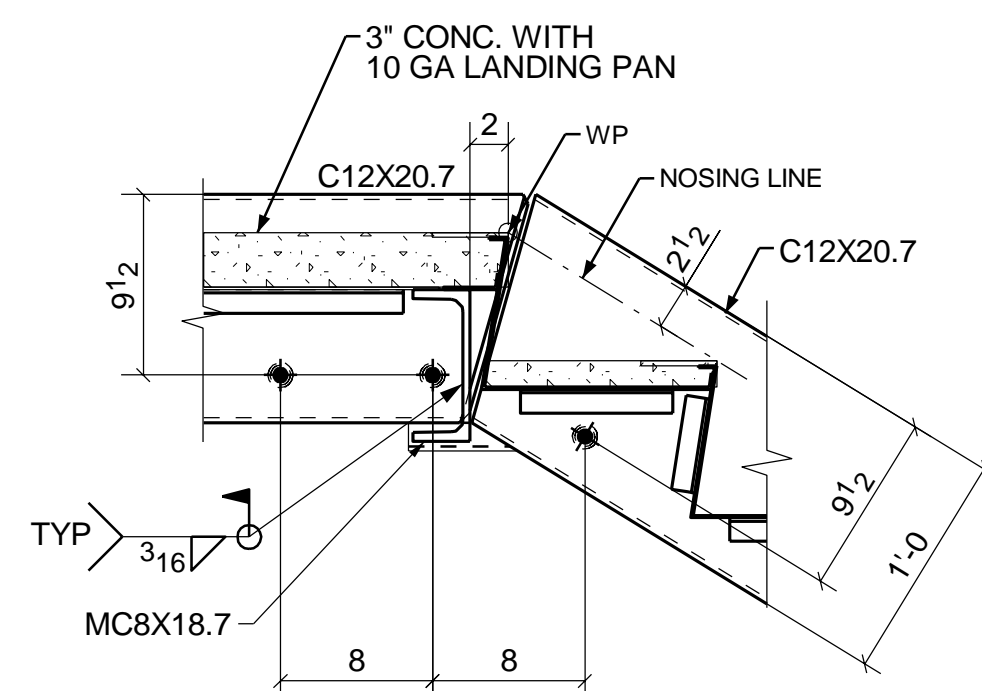


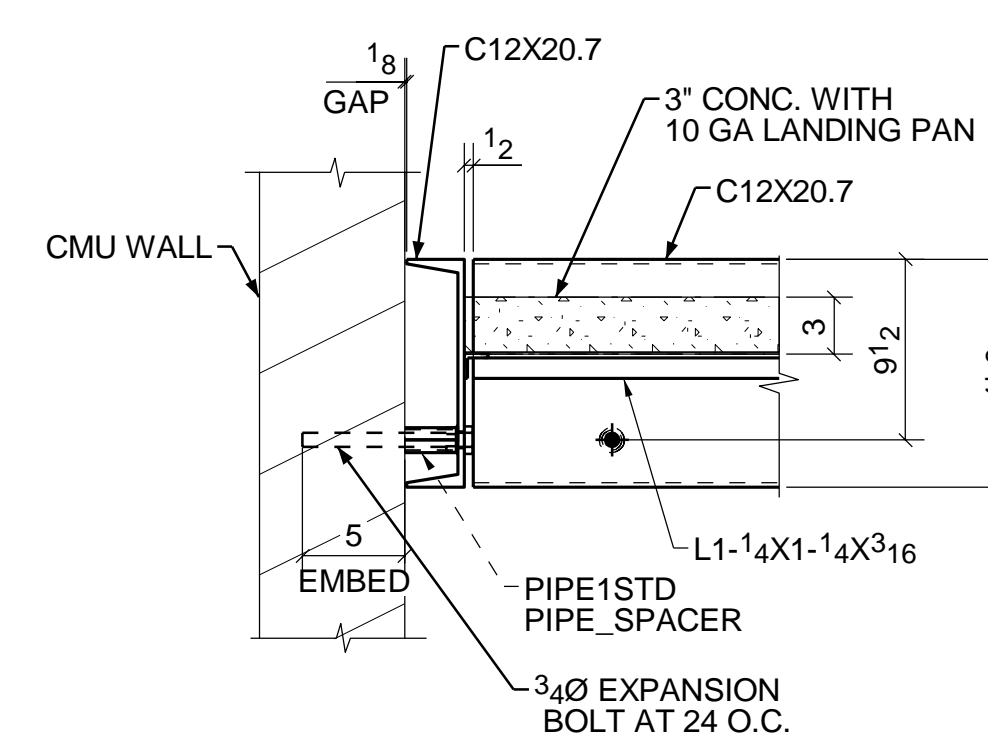
DETAIL 1
(REF:- 113/S302)



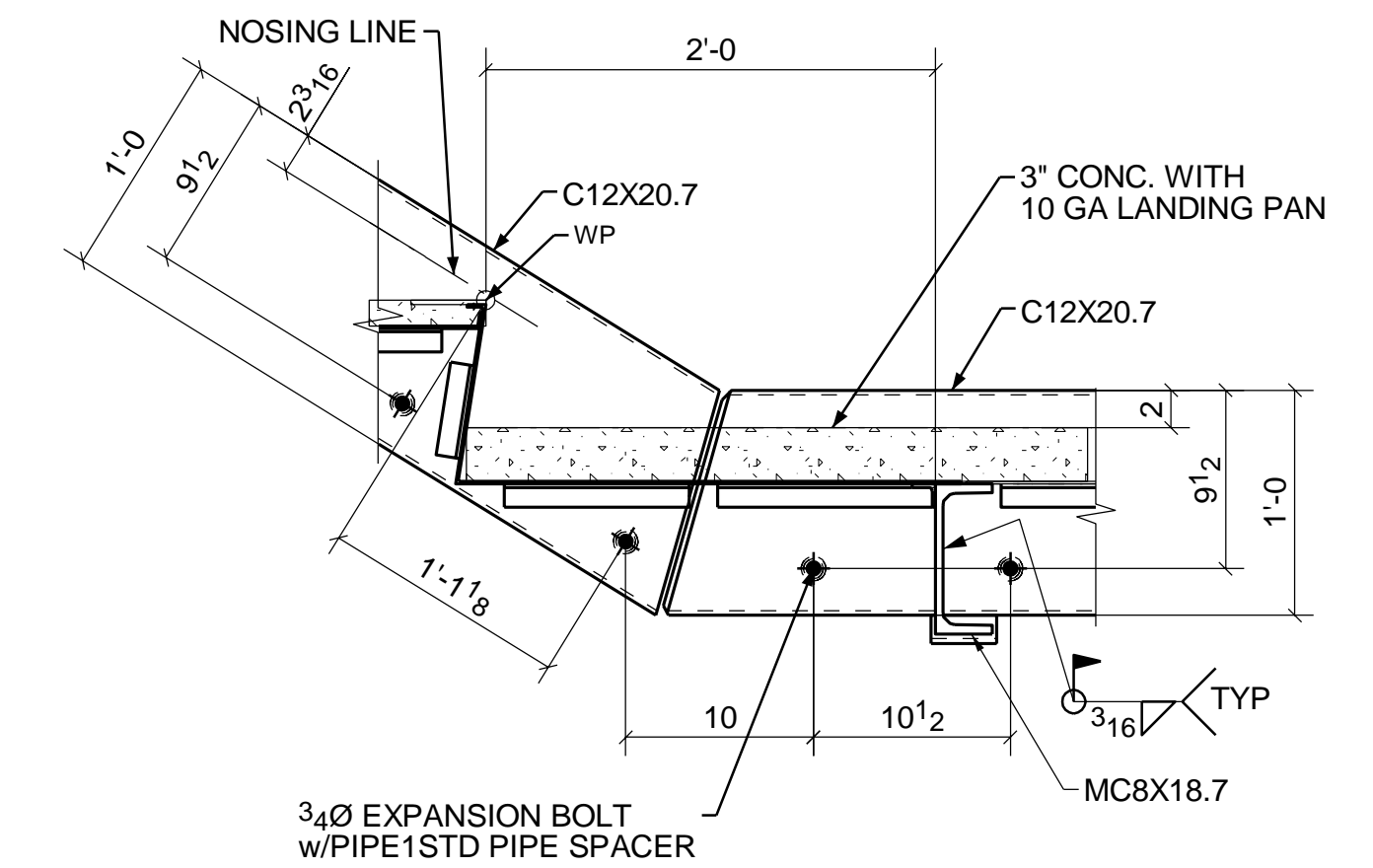
DETAIL 2, 2A
(REF:- 406/S602)



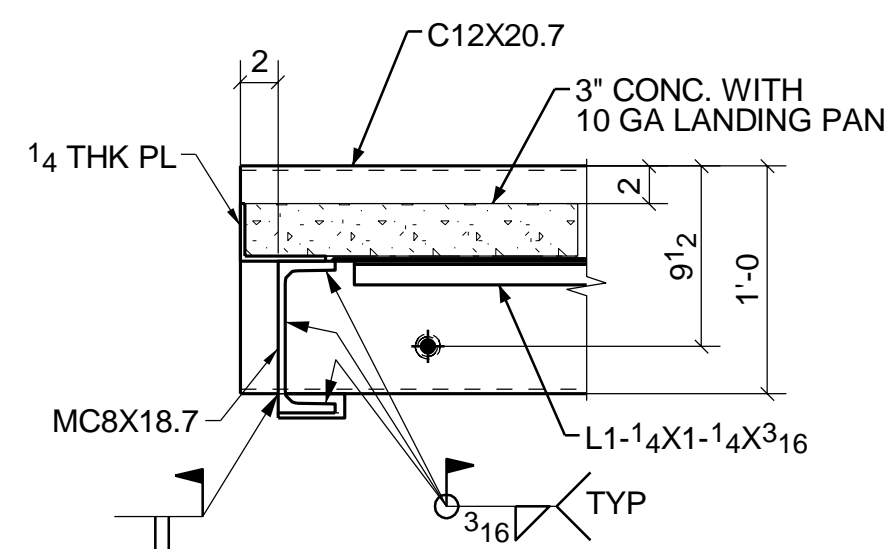
DETAIL 3
(REF:- 404/S602)



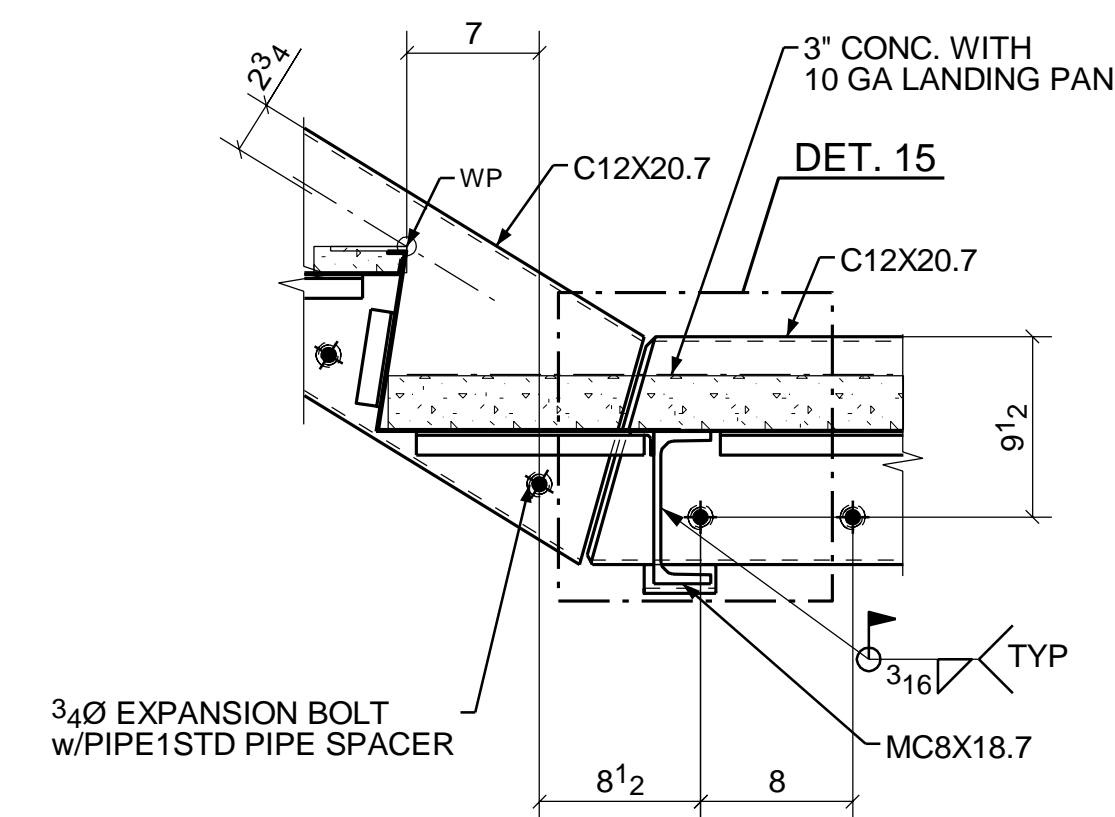
DETAIL 4
(REF:- 410/S602)
(409/S602)



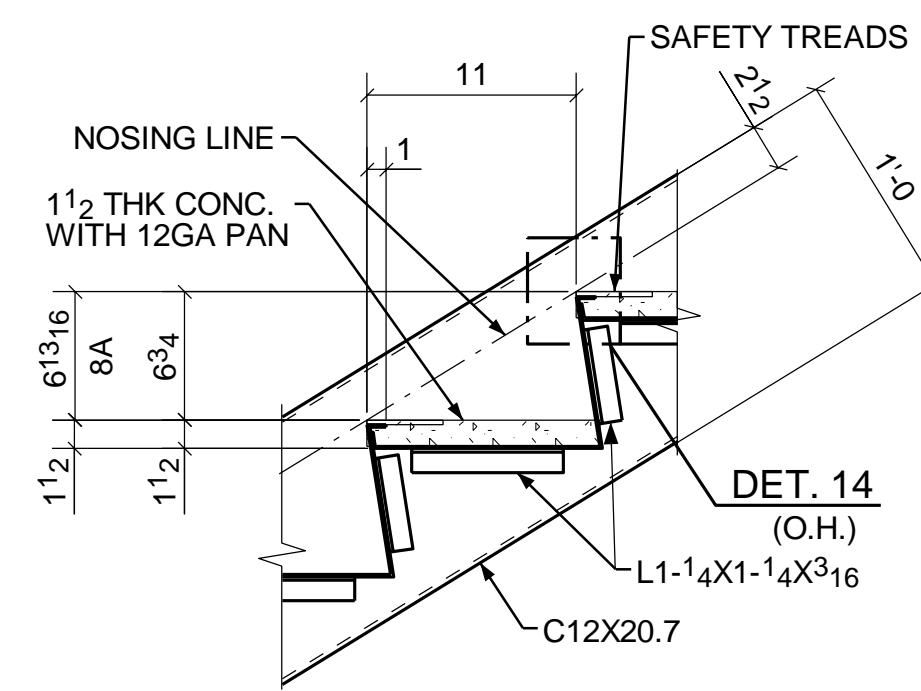
DETAIL 5
(REF:- 405/S602)



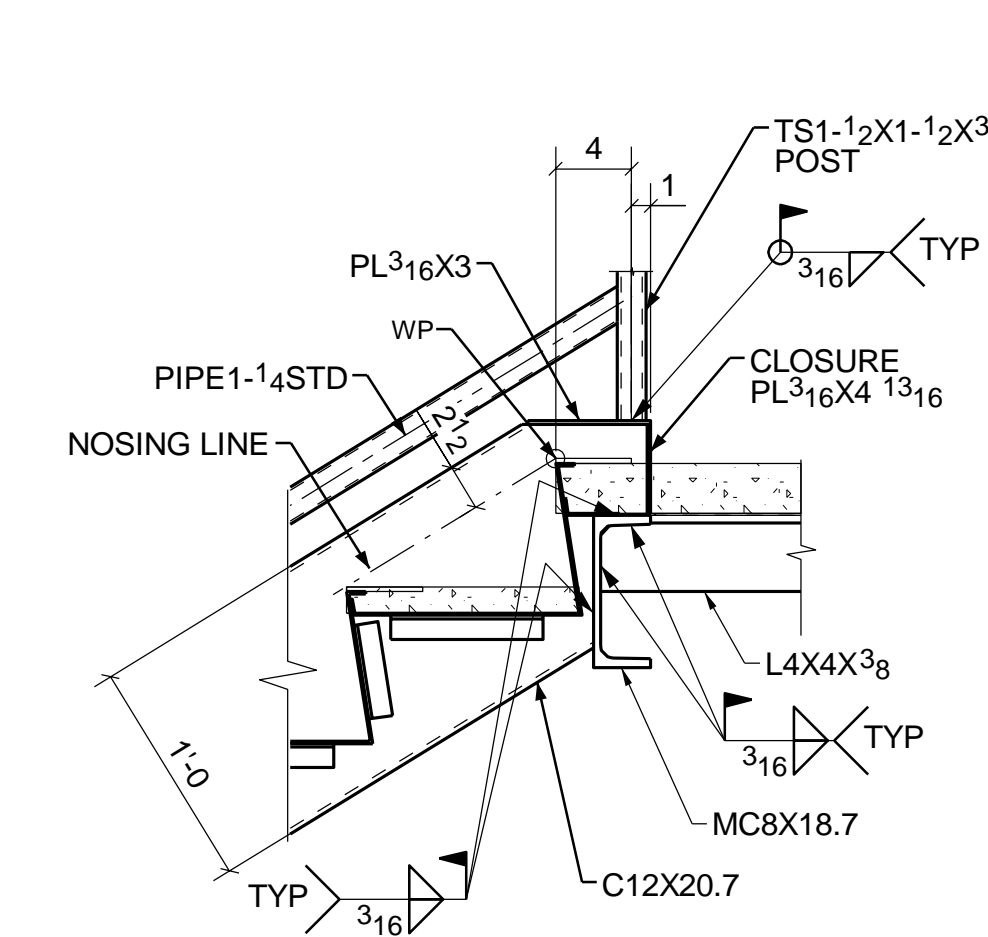
DETAIL 6



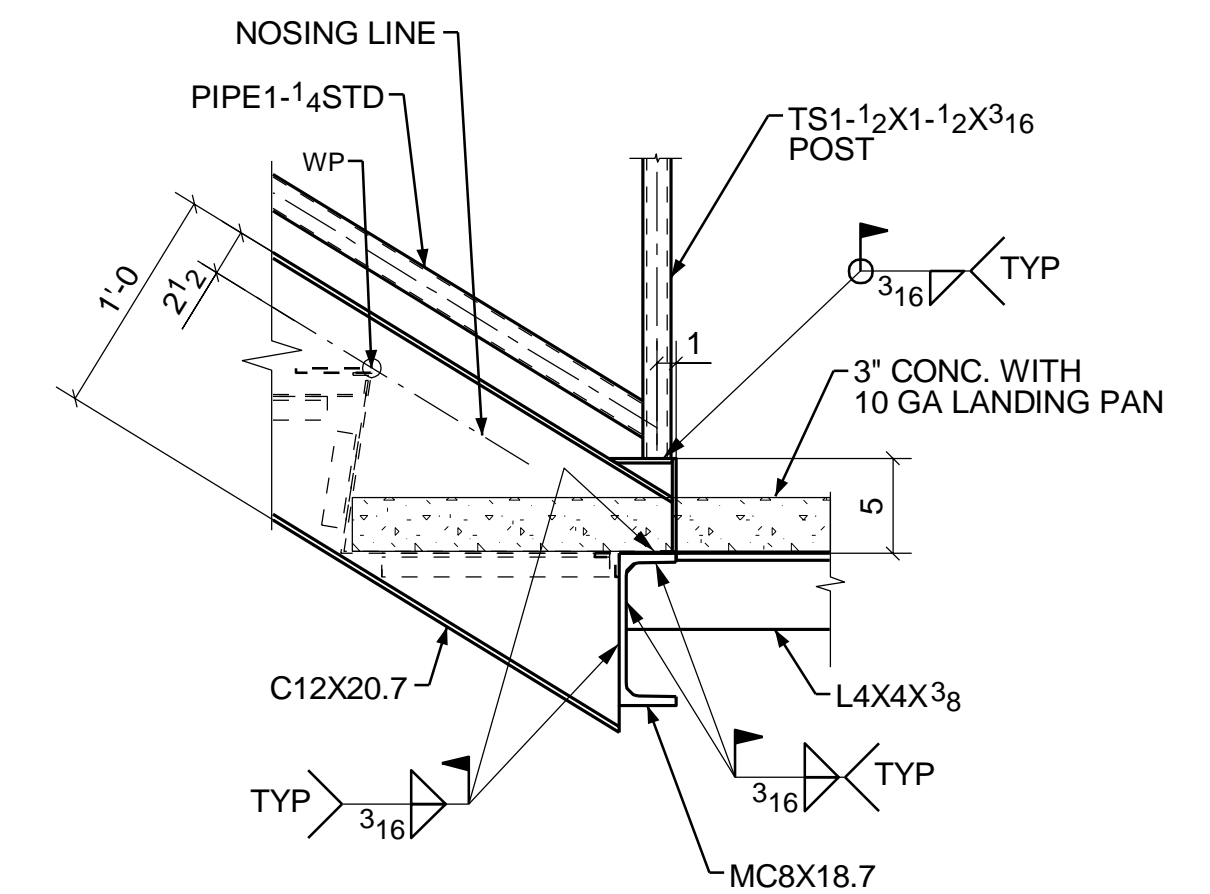
DETAIL 7
(REF:- 405/S602)



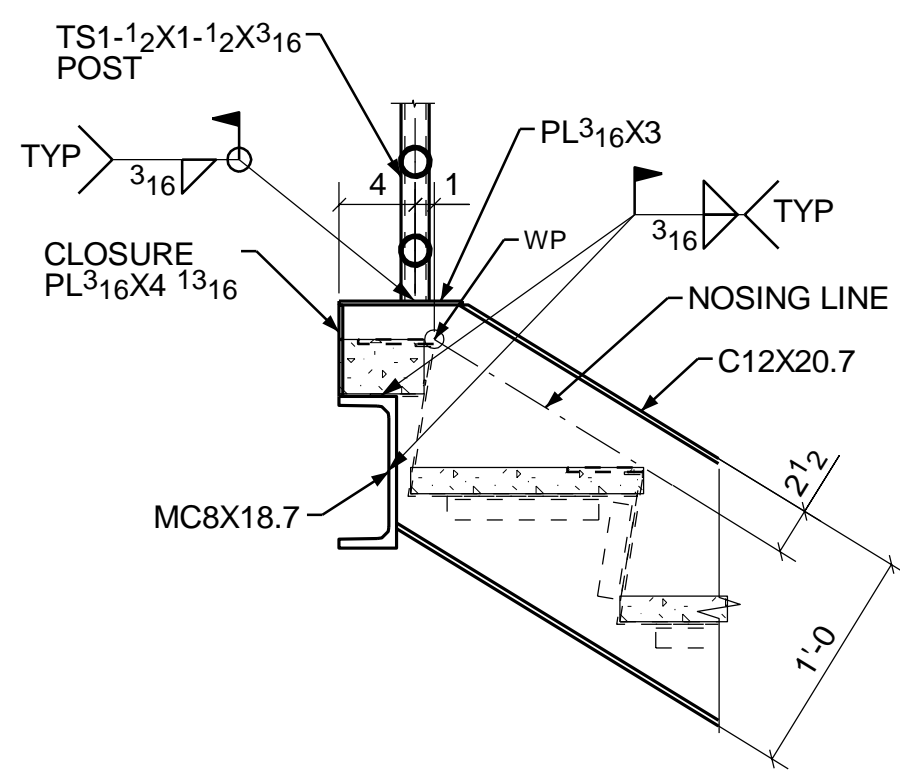
DETAIL 8, 8A
(REF:- 412/S602)



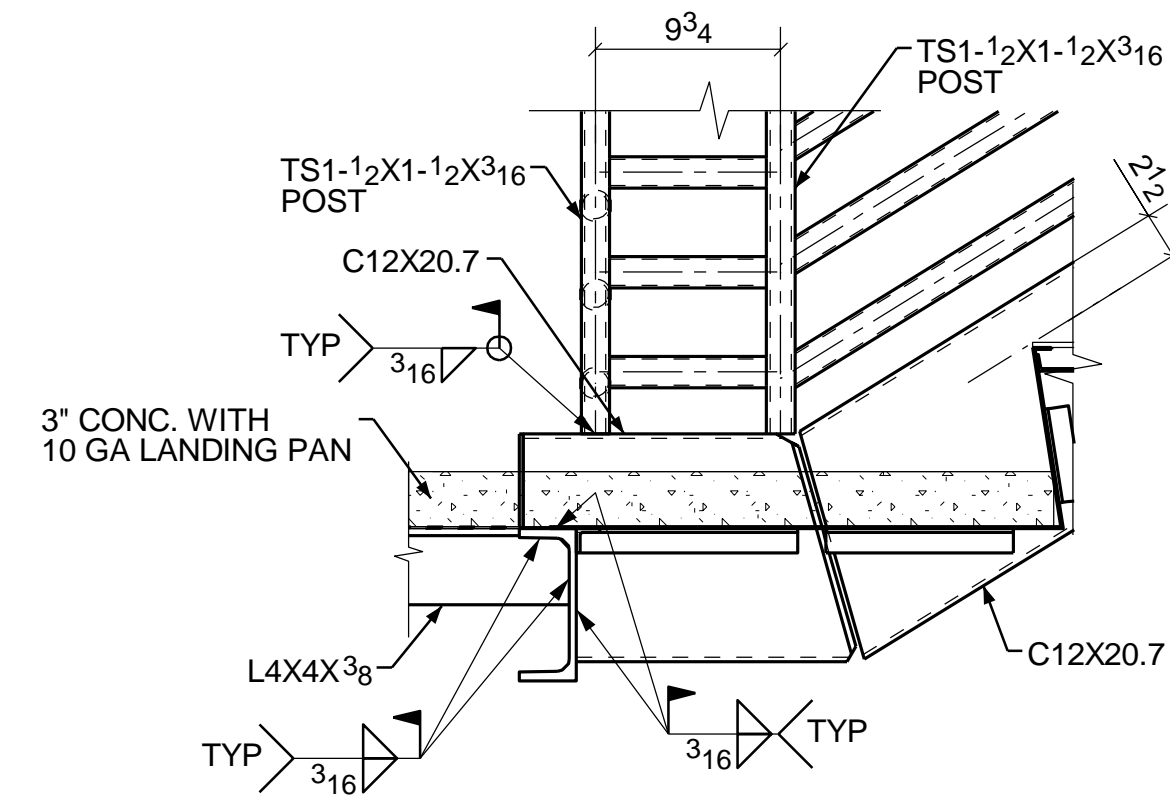
DETAIL 9
(REF:- 403/S602)



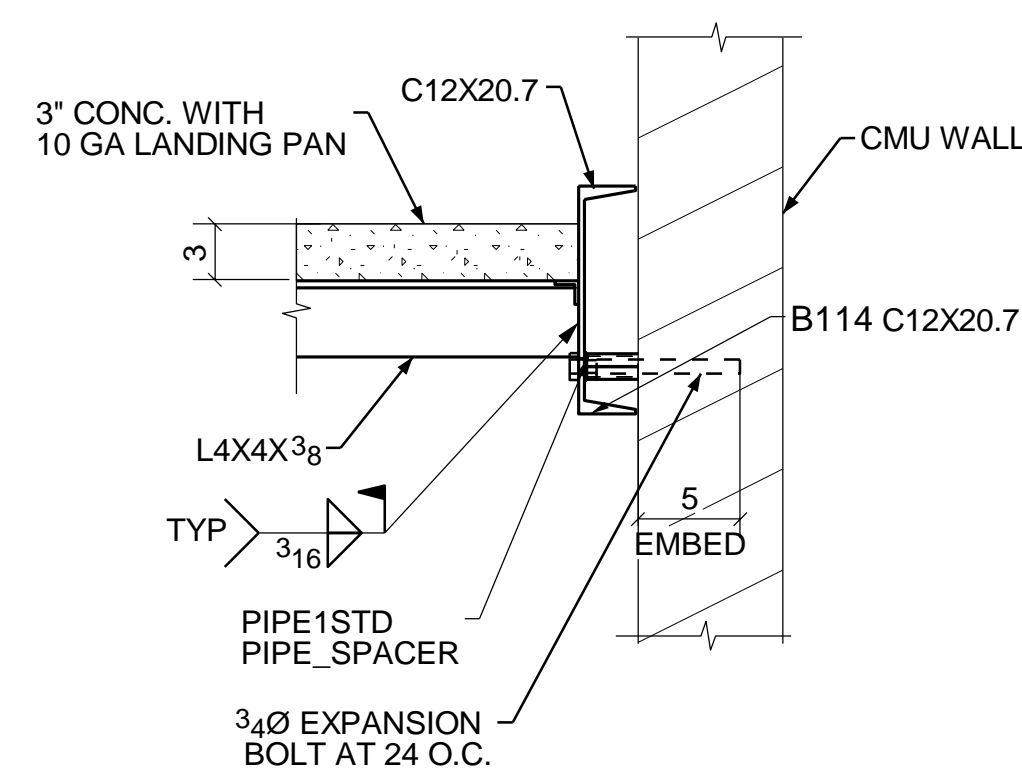
DETAIL 10
(REF:- 403/S602)



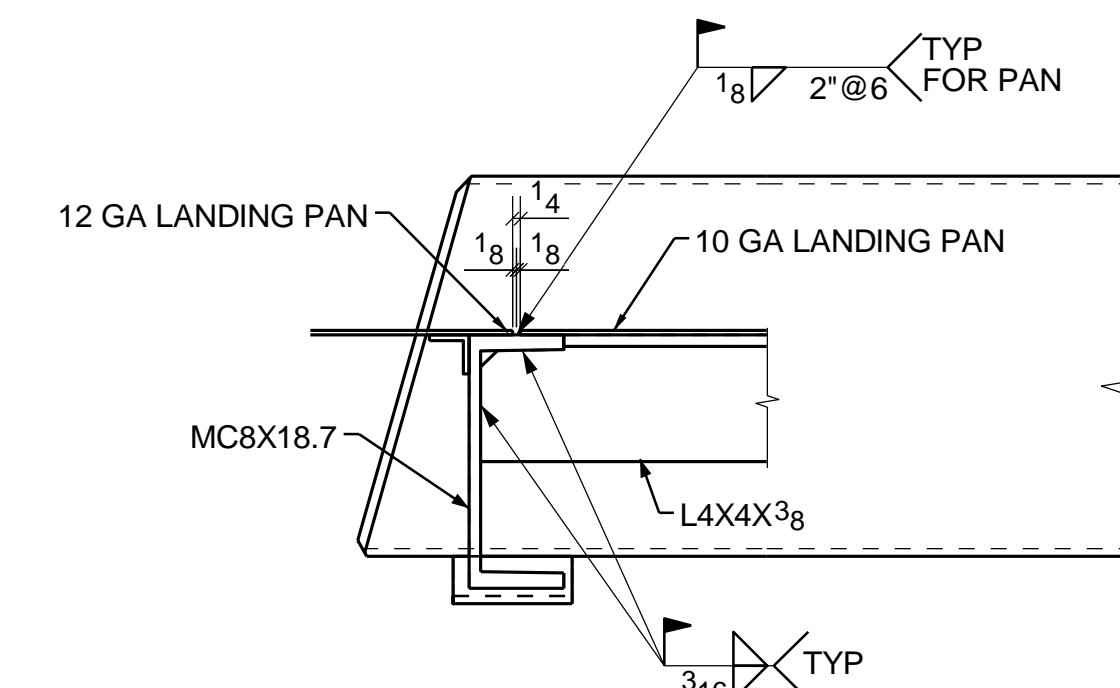
DETAIL 11
(REF:- 403/S602)



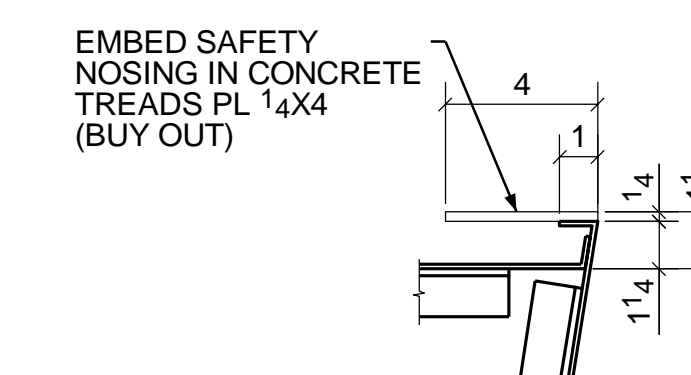
DETAIL 12
(REF:- 403/S602)



DETAIL 13
(REF:- 410/S602)



DETAIL 15



DETAIL 14
(REF:- 9/A513)