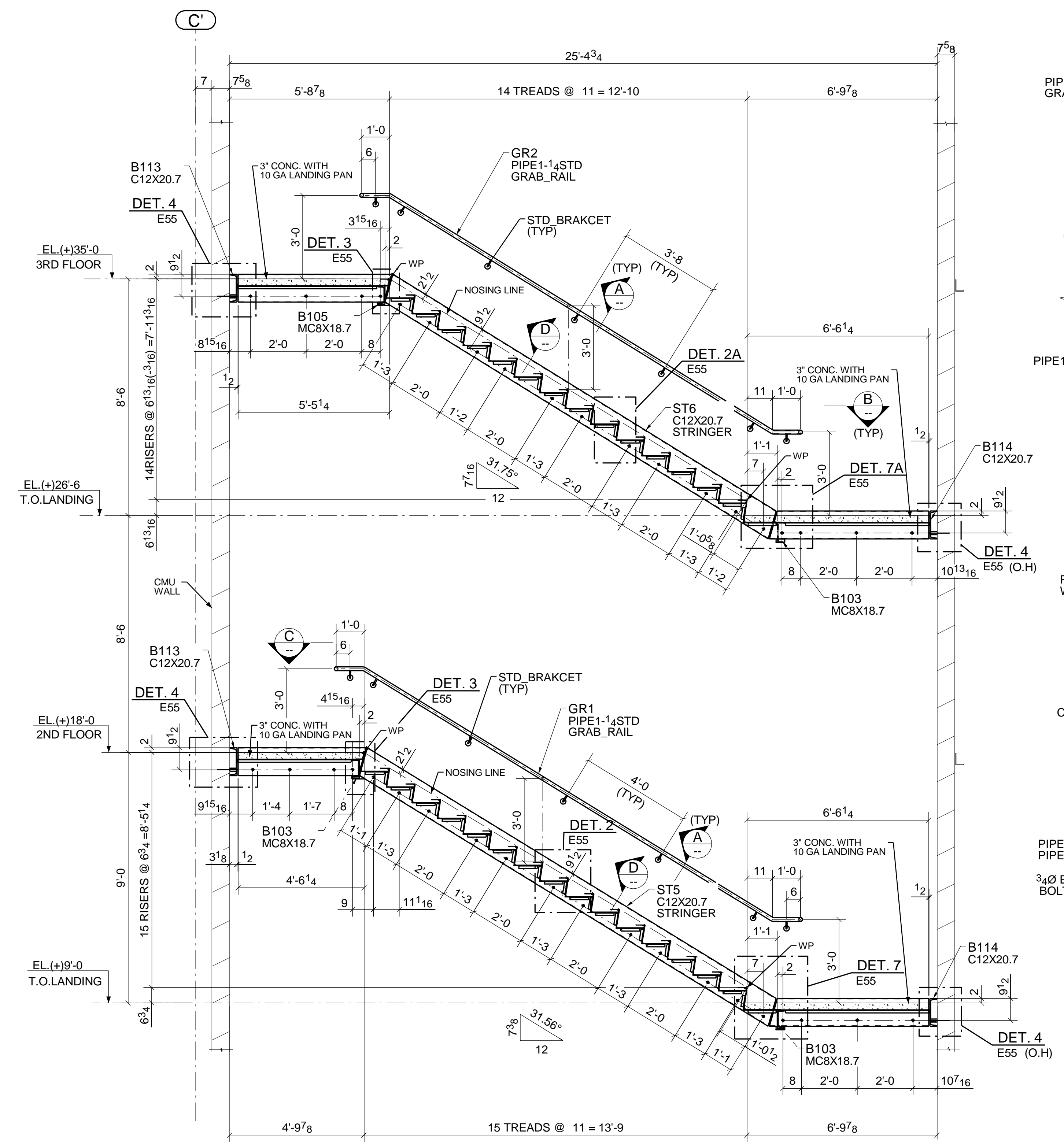
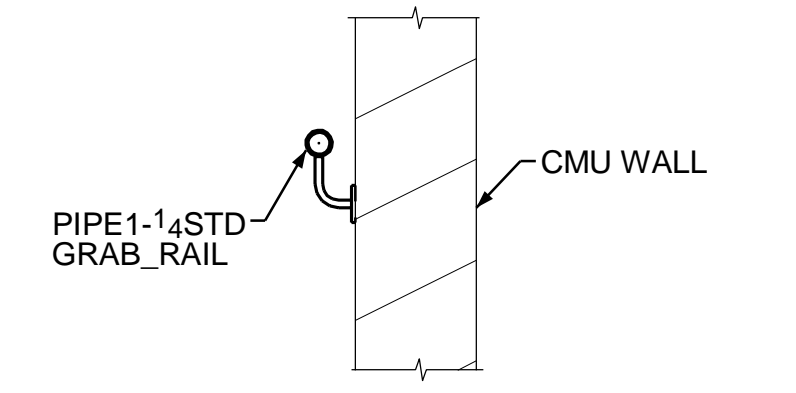


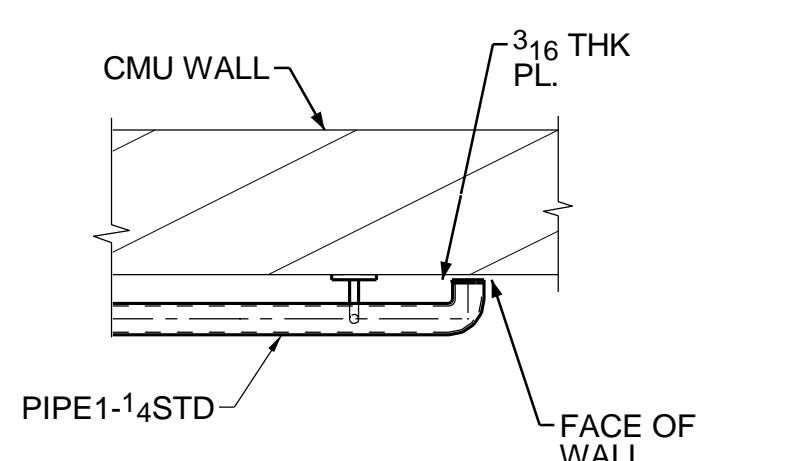
SECTION A - A
(REF:- E51 & E52)



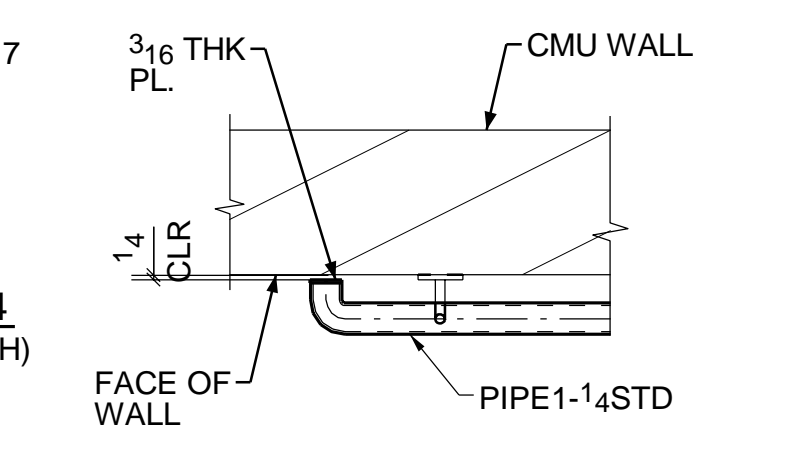
SECTION B - B
(REF:- E51 & E52)



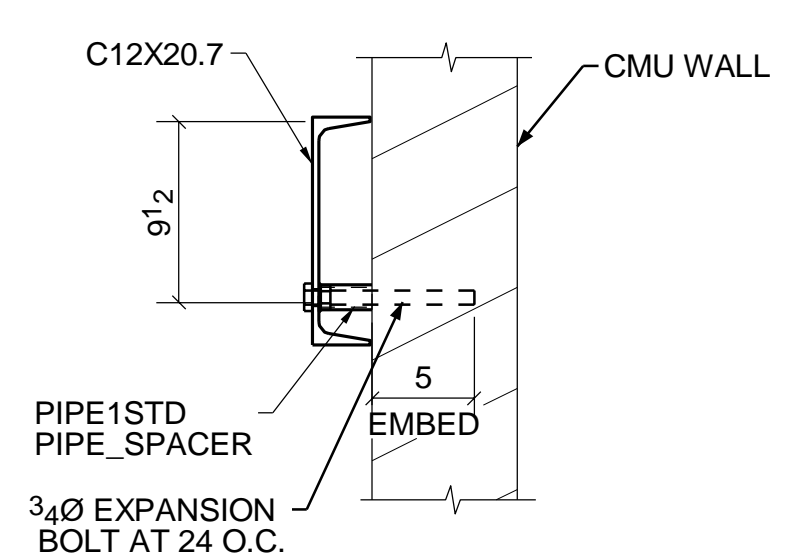
SECTION - A



SECTION - B



SECTION - C



SECTION - D

FOR FIELD USE